



## AIR PREPARATION UNITS

### FILTER WITH INTERNAL AUTODRAIN - Series F1A-G1

Cat No F1AG - 01 - 01 - B

### AIR FILTER INTERNAL AUTODRAIN WITH SERVICE INDICATOR - 1/2, 3/4, 1"

#### Features

- Suitable for Modular mounting
- Steel bowl guard, bayonet type
- Internal Autodrain - Float type, no electrical connections required
  - Provided with manual drain
  - Provision for drain tube connection, to take the condensate away from the unit, to keep the working area clean
- Bronze filtering element
- Separator and shield for efficient moisture separation
- Differential pressure gauge are used for indicating the servicing life of filter element  
Needle position: Green - Clean, Yellow - Change, Red - Dirty



#### Technical Specifications

Model		F15...-AG1	F17...-AG1	F17...-AG1
Medium		Compressed air		
Port size		G1/2	G3/4	G1
Flow rate @	lts/min	3500	5000	6500
Operating pressure	bar	2 to 10		
Medium temperature	C	+5° to +50°		
Ambient temperature	C	+5° to +50°		
Filtration #	µm	1, 5, 25, 40 (standard), 50, 100		
Bowl capacity (at maximum condensate level)	ml	65	165	165
Bowl material		Polycarbonate		
Installation		Vertical (as in the picture)		
Materials of construction		Aluminium, Bronze, Steel, Acetal, Polycarbonate, SS, Nitrile		
Optional accessories *		Clamp, Modular mounting kit, Pressure gauge		
Weight	Kg	0.910	1.450	1.350

® Supply pressure 6 bar, pressure drop  $\Delta p = 0.3$  bar ( For standard models )

# For details see " How to order ".

\* For details refer Optional accessories Cat No APA - 01 - C

#### Precautions

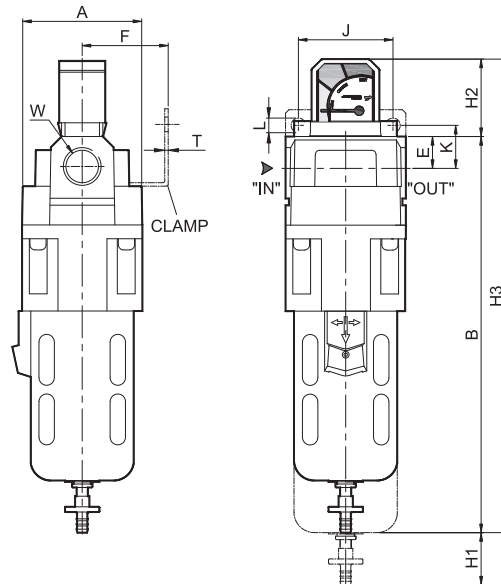
1. Note the direction of flow before installation and connect piping accordingly.
2. Flush pipings for dirt, dust, rust and other foreign particles.
3. Install in clean atmosphere.
4. Nipples of taper threads (R) to be used with teflon tape. Ensure teflon tape does not enter the unit during tightening. Nipples of straight threads (G) to be used with sealing washer.
5. Polycarbonate bowls may get damaged and possibly fail if exposed to synthetic oils, thinner, solvents, trichloroethylene, kerosene or other aromatic hydrocarbons.

# AIR PREPARATION UNITS

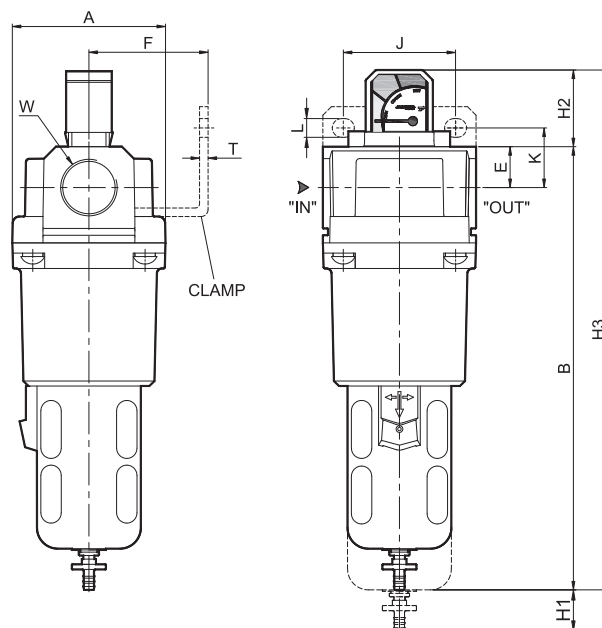
## FILTER WITH INTERNAL AUTODRAIN - Series F1A-G1

Cat No F1AG - 01 - 01 - B

### Model F15...-AG1



### Model F17...-AG1



Model	W	A	B	E	K	F	J	L	T	H1	H2	H3
F15...-AG1	G1/2	SQ 70	230	18	25	50	55	8.5	2	80	45	275
F17...-AG1	G3/4	SQ 90	260	24	35	70	66	11	5	80	45	305
F17...-AG1	G1	SQ 90	260	24	35	70	66	11	5	80	45	305

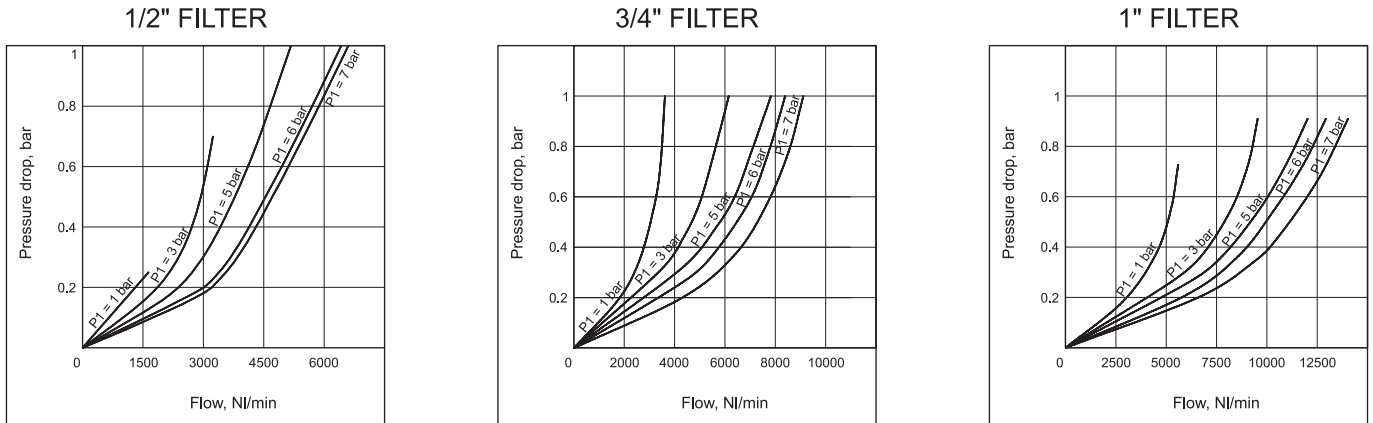
For Details of Clamp see optional accessories Cat No APA - 01 - C

# AIR PREPARATION UNITS

## FILTER WITH INTERNAL AUTODRAIN - Series F1A-G1

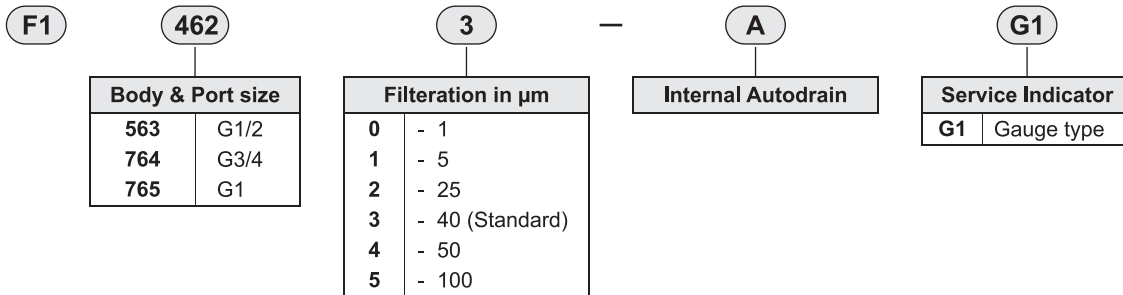
Cat No F1AG - 01 - 01 - B

### Flow Graphs



Flow graphs are for 40µm filtrations only.

### How to order



**Ordering example:** Filter - 3/4 size (with G 3/4 port) with a 50µm Filter with Internal Autodrain with service indicator:  
Ordering No: **F17644-AG1**

If ordered as 3/4 Filter with Internal Autodrain with service indicator, our standard model **F17643-AG1**, with a 40µm Filter with Internal Autodrain will be supplied .